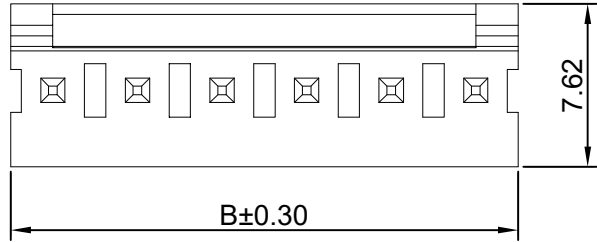


RoHS

REV	ECN NO.	DESCRIPTION	DESIGN	APPROVAL	DATE
A1	NEW	更换图框			2024.05.24



SPECIFICATIONS

- Current rating: 5A
- Temperature range: $-40^{\circ}\text{C} \sim +105^{\circ}\text{C}$
- Insulation resistance: 1000M Ω Min.
- Withstanding voltage: 1500V AC/ minute.
- Contact resistance: 20m Ω Max.

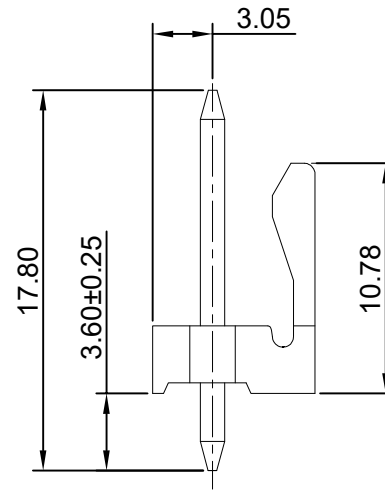
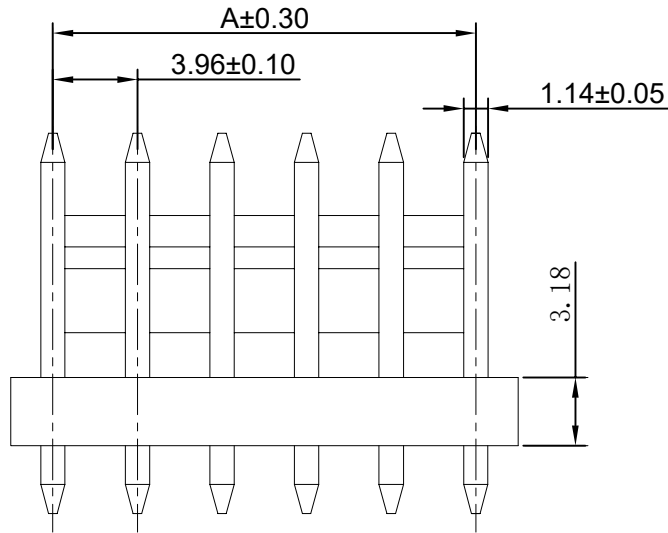
Material:

Insulator Material: PA66 UL94V-0
 Contact Material: Brass
 Contact Plating: Tin-Plated
 Mate with XFCN P3965 series Housing

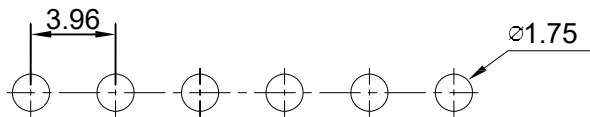
Ordering Code:

M3965V-XX
 1 2

1. 序列号
2. Pin位数: 02-16P



PIN/ROW	Dimension	
	A	B
02	3.96	7.92
03	7.92	11.88
04	11.88	15.84
05	15.84	19.80
06	19.80	23.76
07	23.76	27.72
08	27.72	31.68
09	31.68	35.64
10	35.64	39.60
11	39.60	43.56
12	43.56	47.52
13	47.52	51.48
14	51.48	55.44
15	55.44	59.40
16	59.40	63.36



P.C.B LAYOUT

X.±0.50	X.°±
.X±0.25	.X°±
.XX±0.15	.XX°±
.XXX±0.10	.XXX°±
UNITS:	mm

PART NO: M3965V-XX		XFCN 兴飞连接器		
TITLE: 3.96mm Crimp Style Connectors		0769-82001899		
		www.xfconn.com		
		DWG NO:		
APPD	Chen ZhiQiang	VIEW		
CHKD	Liu Wei	SCALE	SHEET	REV
DRAW	Chen HongJiang			
DATE	2024.06.13	NONE	1/1	A1

THESE DRAWINGS AND SPECIFICATIONS ARE THE PROPERTY OF XFCN AND SHALL NOT BE REPRODUCED, COPIED OR CUED IN ANY MANNER WITHOUT THE PRIOR WRITTEN CONSENT OF XFCN